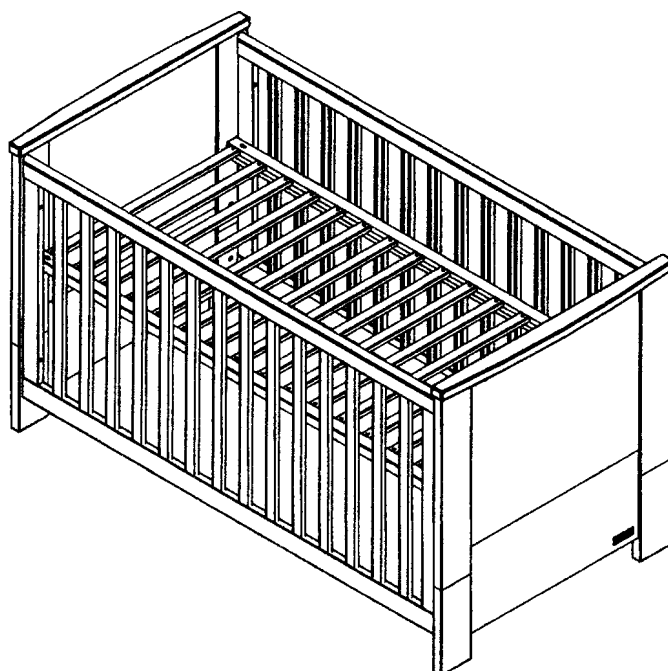


Assembly Instructions



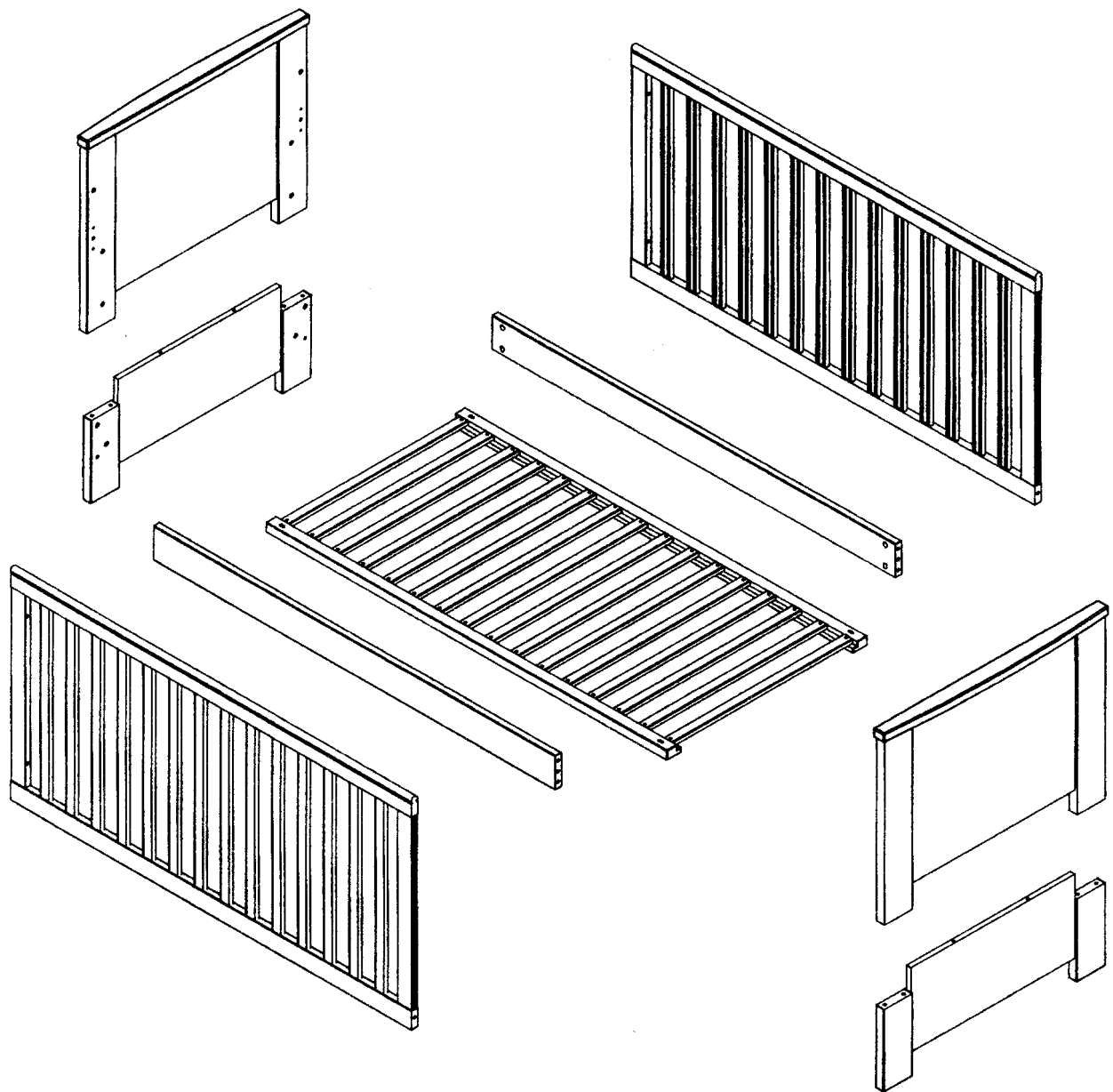
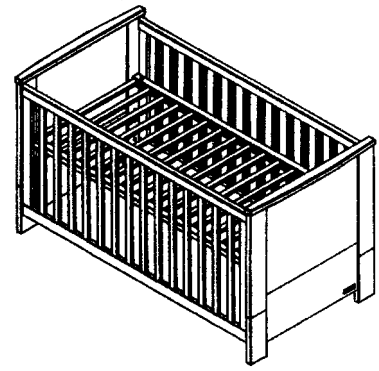
Oakland cot-bed

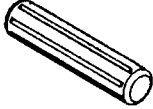
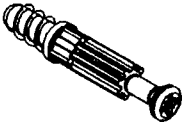
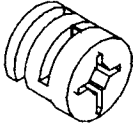
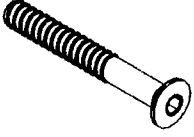
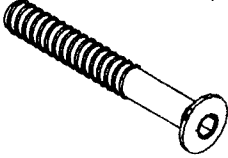
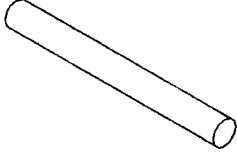
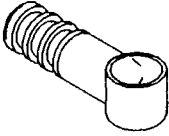
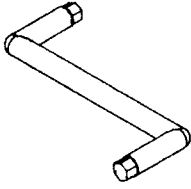
Baby Style[®]

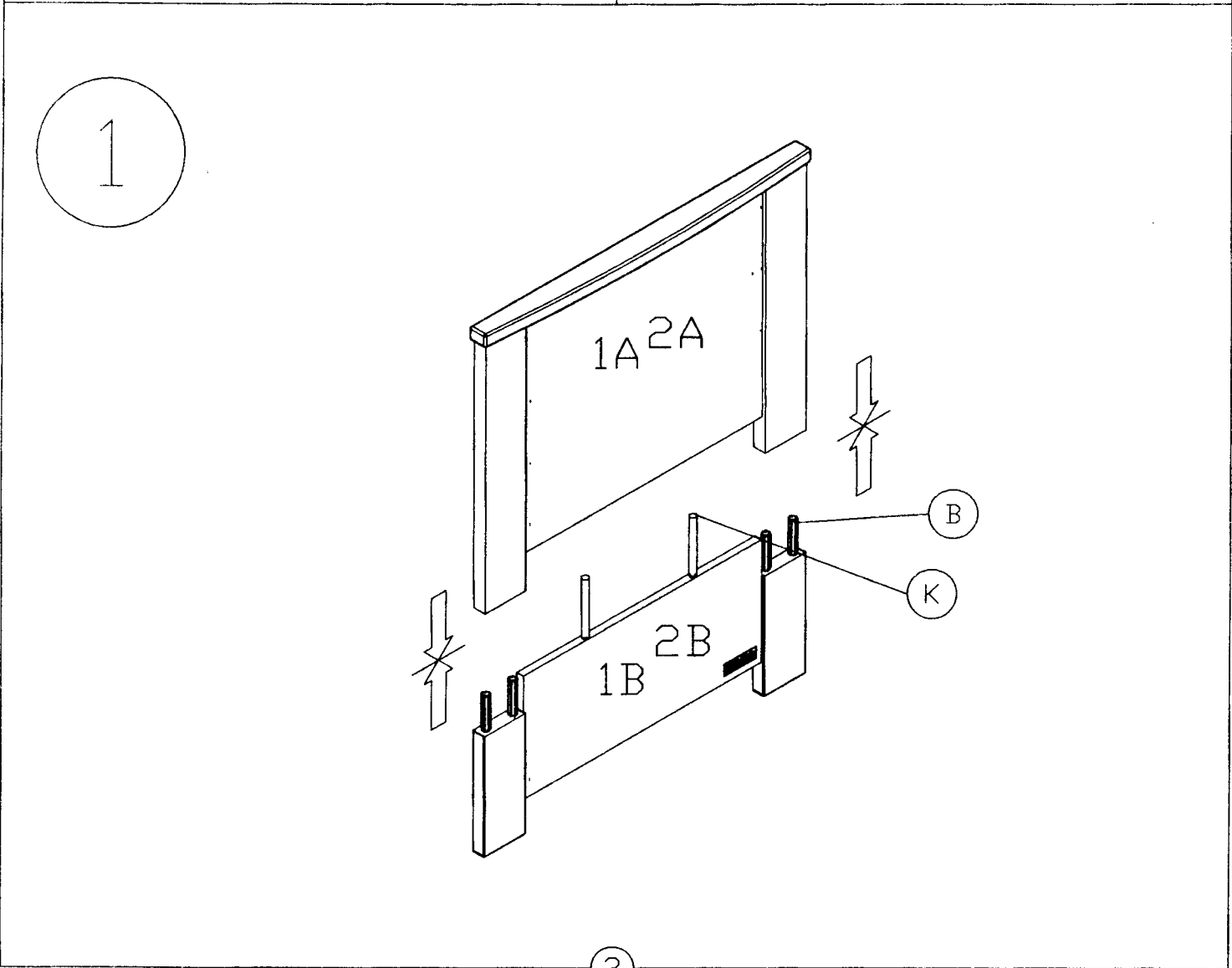
IMPORTANT : Please read the instructions Carefully and keep for future reference.

Oakland COTBED

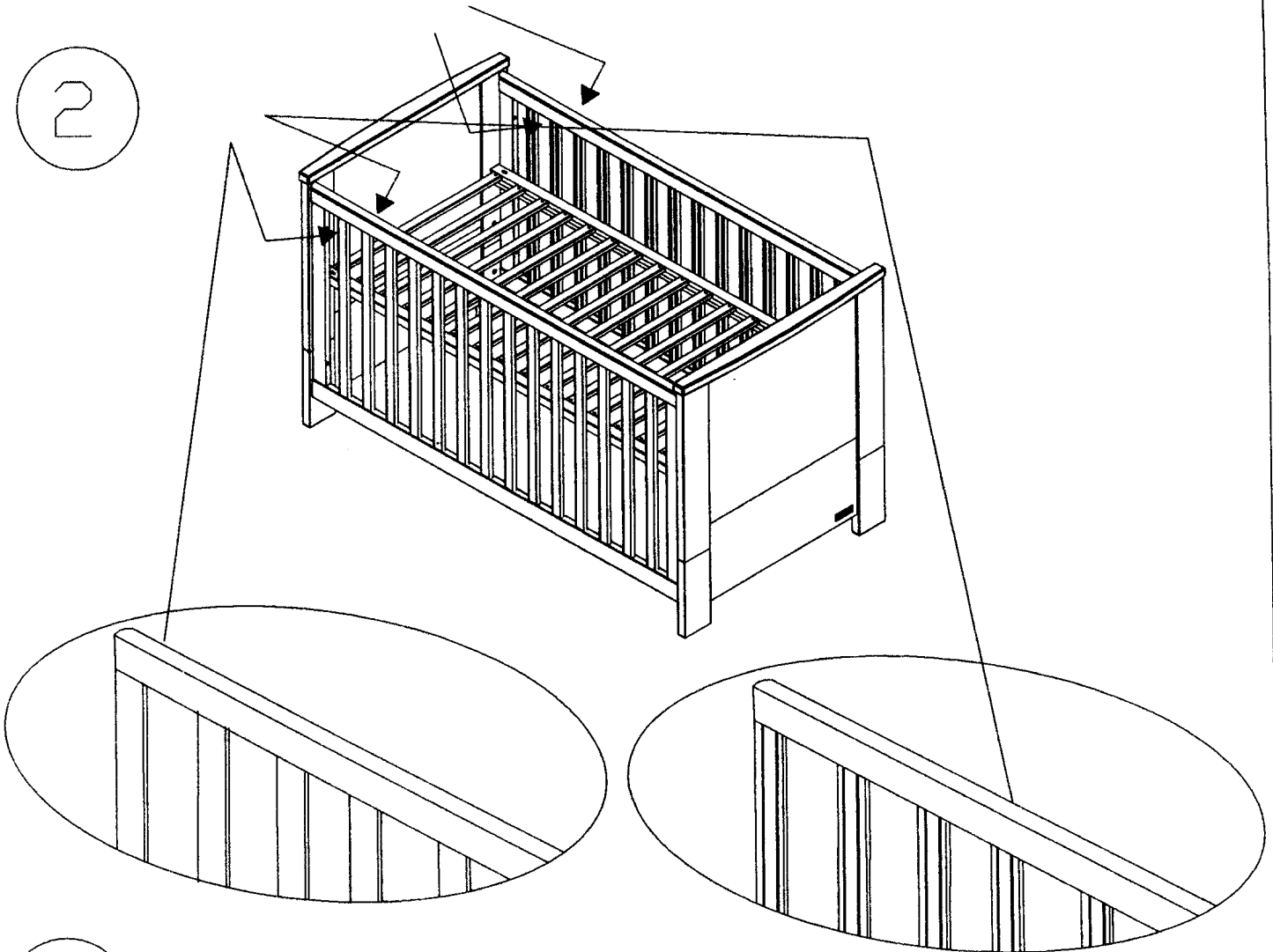
Unpack all components and panels and identify them against the parts listed. If any parts are missing or damaged please contact your retailer. Do not discard any packing until you are sure you have all the components listed.



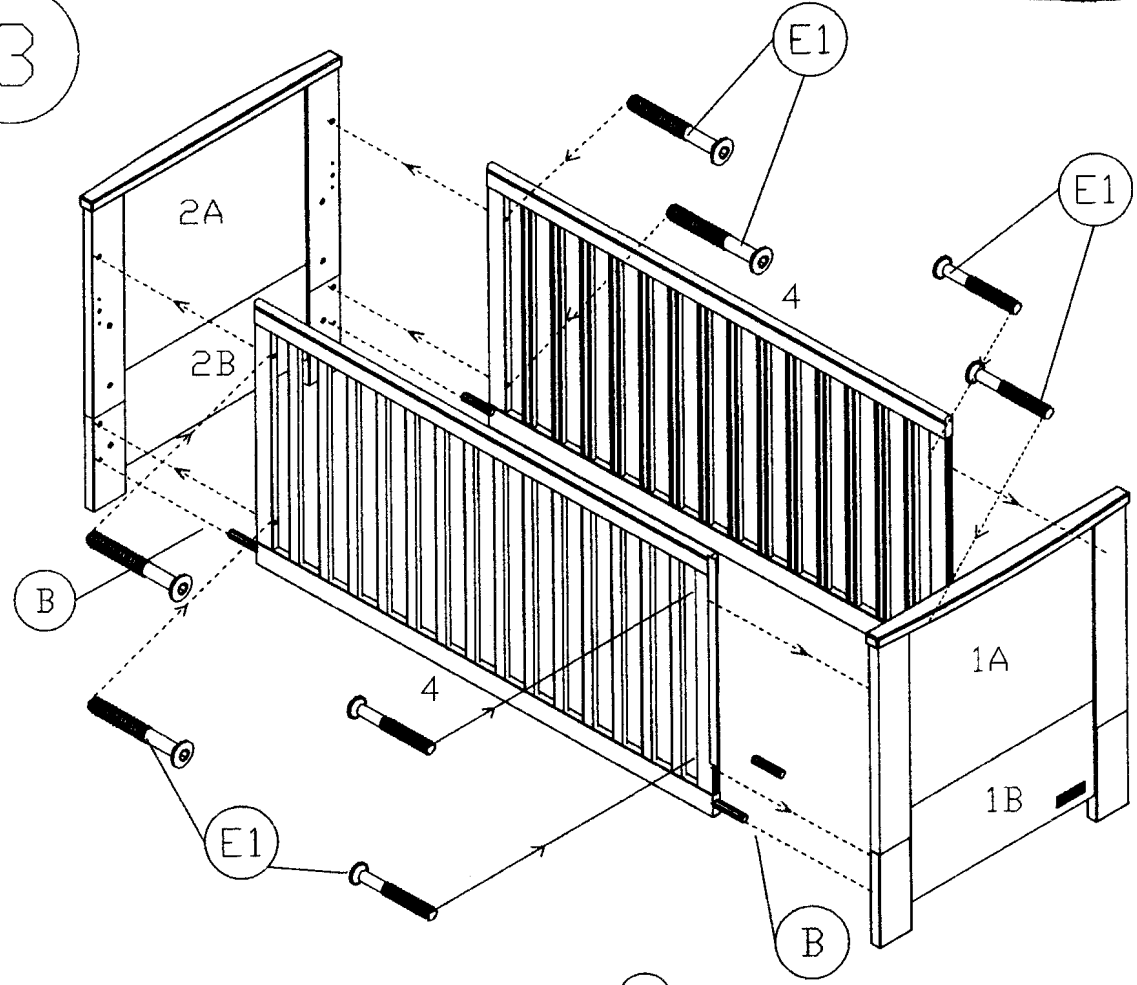
<p>(B) × 16 (8×36)</p> 	<p>(C1) × 8 2</p> 
<p>(C3) × 8 (15×22)</p> 	<p>(E) × 4 (M6×40)</p> 
<p>(E1) × 8 (M6×63)</p> 	<p>(K) × 4 (6×60)</p> 
<p>(J1) × 4</p> 	<p>4 "Z" × 1</p> 



2

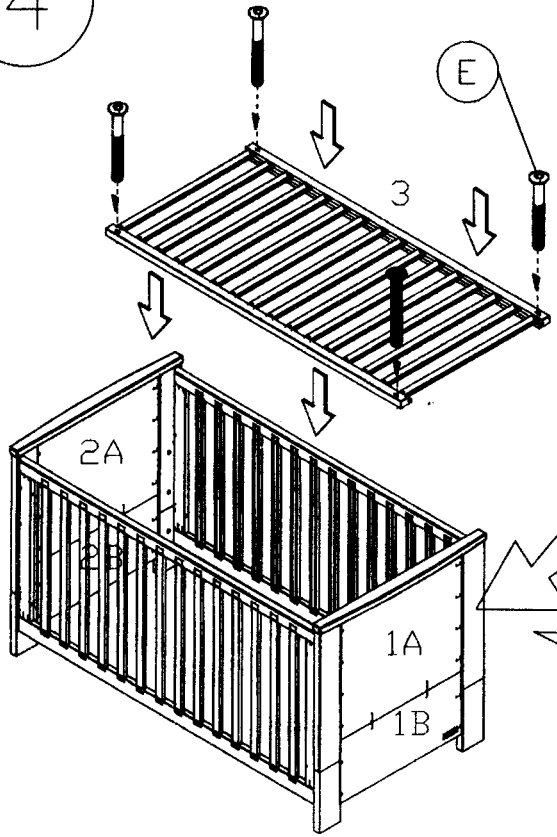


3

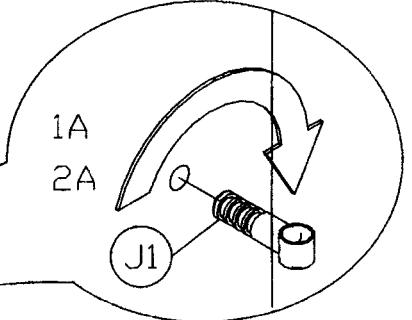


4

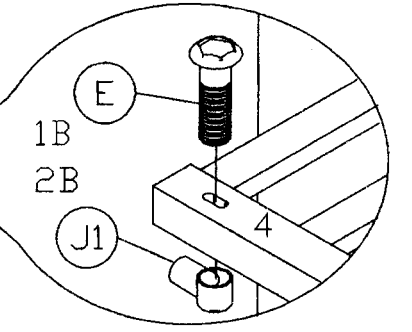
4



I

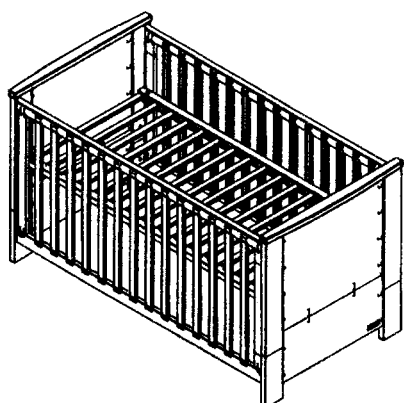


II

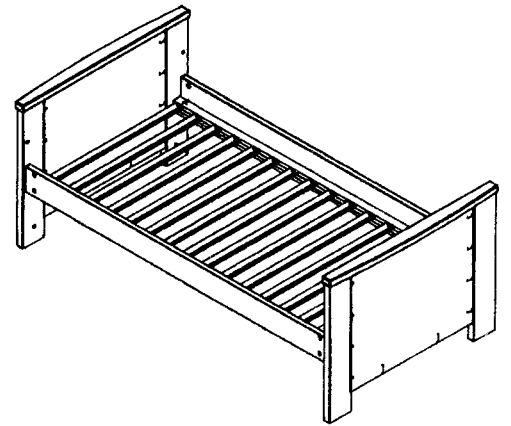
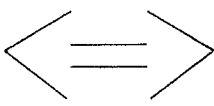


5

I

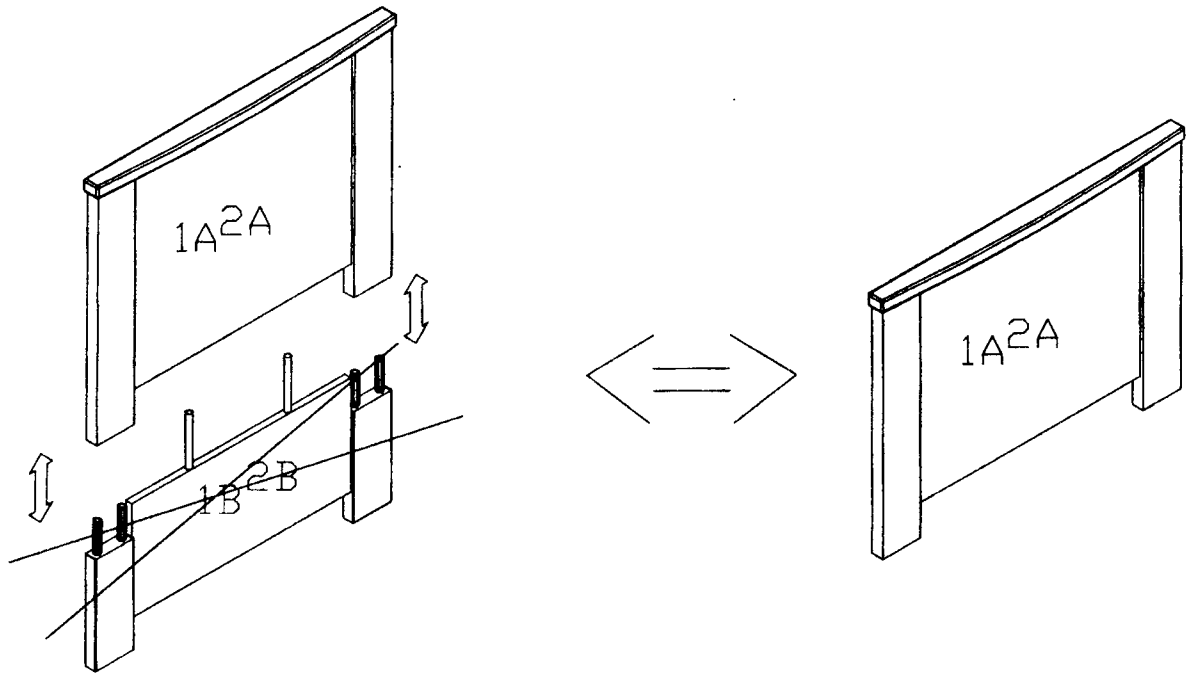


II

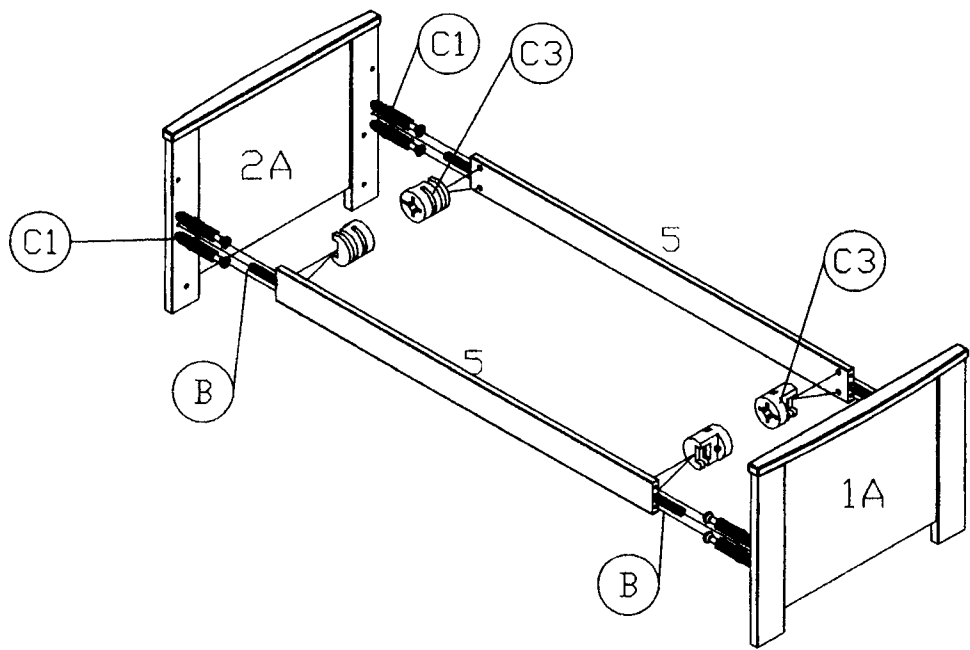


5

6

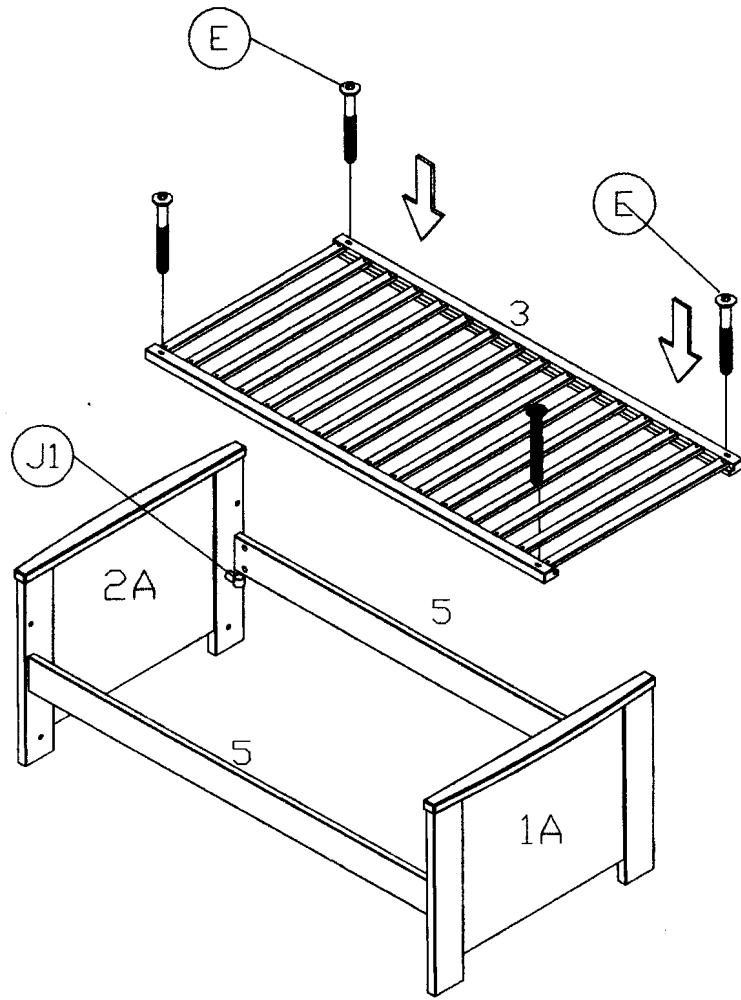


7



6

8



7

INSTRUCTIONS FOR SAFE USE AND MAINTENAN

1. **WARNING: NEVER LEAVE YOUR CHILD UNATTENDED. THE SAFETY OF YOUR CHILD IS YOUR RESPONSIBILITY.**
2. The bottom position of the base is the safest. You should use the cot with the base in the lowest position as soon as your child can sit-up without your assistance.
3. Never leave anything in the cot which could provide a foothold for your child to climb out or would present a danger of suffocation or strangulation.
4. Any mattress used in the cot shall be such that the internal height (surface of the mattress to the upper edge of the bed frame) is at least 500mm in the lowest position of the bed base and at least 200mm in the highest position of the bed base.
5. We recommend the use of the Babystyle Rochingham "Comfy sprung" mattress for this cot (nominal size 1400mm x 700mm).
6. Check on a regular basis that all assembly fittings and screws are correctly tightened and are not damaged. Care should be taken that no screws are loose; screws can pinch parts of the body and clothing (eg strings, necklaces, ribbons for babies' dummies) which would pose a risk of strangulation.
7. Warning: Be aware of the risk of open fire and other sources of strong heat, such as electric bar fires gas fires etc. in the near vicinity of the cot.

Product development dictates that components may occasionally differ from the ones shown in the diagrams of these instructions. The right to change the specifications and design of the furniture without prior notice remains with the manufacturer.

Guarantee

All our products are produced from the finest quality materials and are manufactured under the strictest quality controls.

We guarantee all our products or part there of against faulty manufacture; for a period of six (6) months from the date of purchase. This guarantee is not effective against accidental damage or damage caused by incorrect use or neglect. This does not affect your statutory rights.

Babystyle UK Ltd, Sileby, Leicestershire, LE12 7RJ, United Kingdom
WWW.babystyle.co.uk