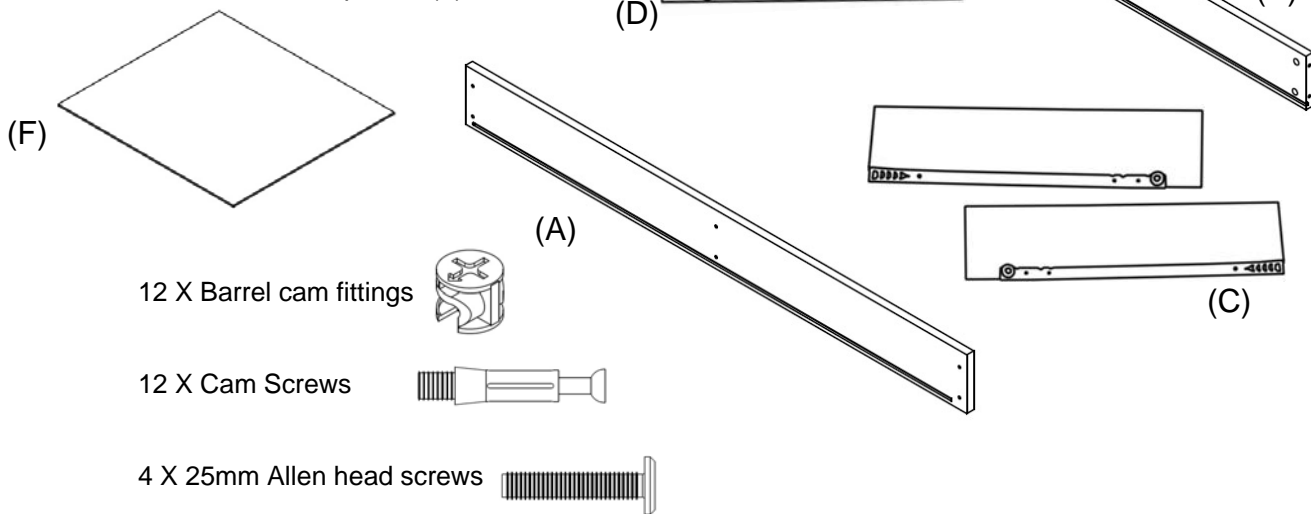


Hollie Storage Drawer Assembly Instructions

Components & Fittings

- 1 X Drawer front (A)
- 1 X Drawer back (B)
- 2 X Drawer sides (C)
- 2 X Drawer runners (D)
- 1 X Drawer centre partition (E)
- 2 X Drawer base panels (F)



Unpack the drawer bed and identify the component parts listed above. Do not discard any packaging until you have identified all the components and fittings.

To assemble the Hollie Storage Drawer.

Insert the barrel cam fittings into the components B, C and E so that the arrow on the cam fitting lines up with the corresponding hole on the side of the component. Screw the cam screws into the plastic thread inserts in components A, B, C and E. Screw the cam screws just until the shoulder on the cam screw touches the threaded plastic insert in the component, do not over tighten.

With the drawer back (B) flat on the floor, place the centre partition (E) over the cam screws so that it butts the drawer back, tighten the barrel cam fittings by turning clockwise.

Fit the drawer sides (C) noting the marking on the metal drawer runners DR for drawer right, fit to the right and DL for drawer left, fit to the left. Tighten the cam fittings in the drawer back.

Slide the two drawer base panels into the corresponding slots on the drawer sides (C) centre partition (E) and drawer back (B).

Fit the drawer front (A) by lowering it onto the drawer ensuring that the drawer base panels slot into the corresponding slots on the back of the drawer front. Tighten the cam fittings in the centre partition (E) and in the drawer sides (C).

Using the 4 X 25mm Allen screws fit the drawer runners (D) to the Hollie Sleigh bed noting the marking on the metal drawer runners CR for cot right; fit to the right and CL for cot left; fit to the left. Slide the drawer onto the runners.

BabyStyle

BabyStyle UK Limited
LE12 7RJ
UNITED KINGDOM

This instruction manual © Babystyle UK Limited 2009

All rights reserved. Hollie Sleigh bed Storage drawer
AJB1132/270509