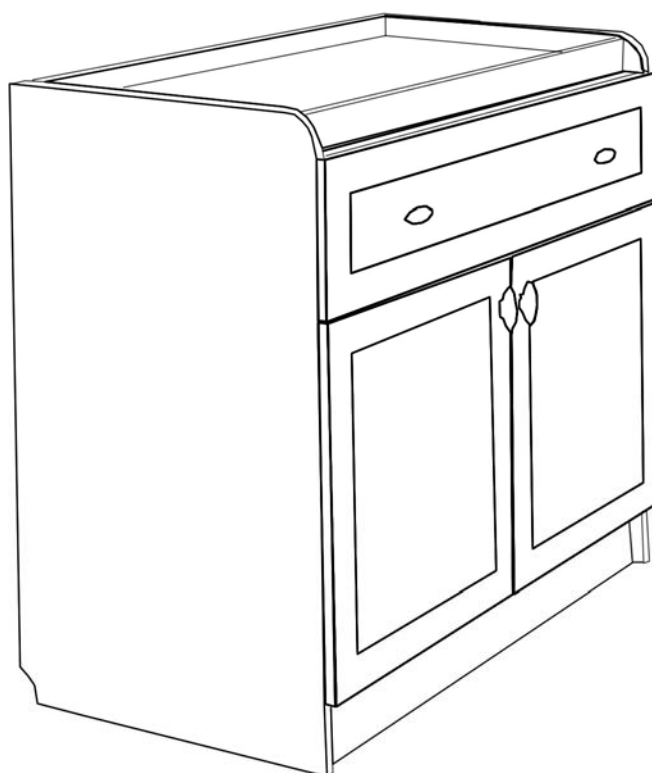


Assembly Instructions



Helsinki Dresser/ Changing unit

Baby Style[®]

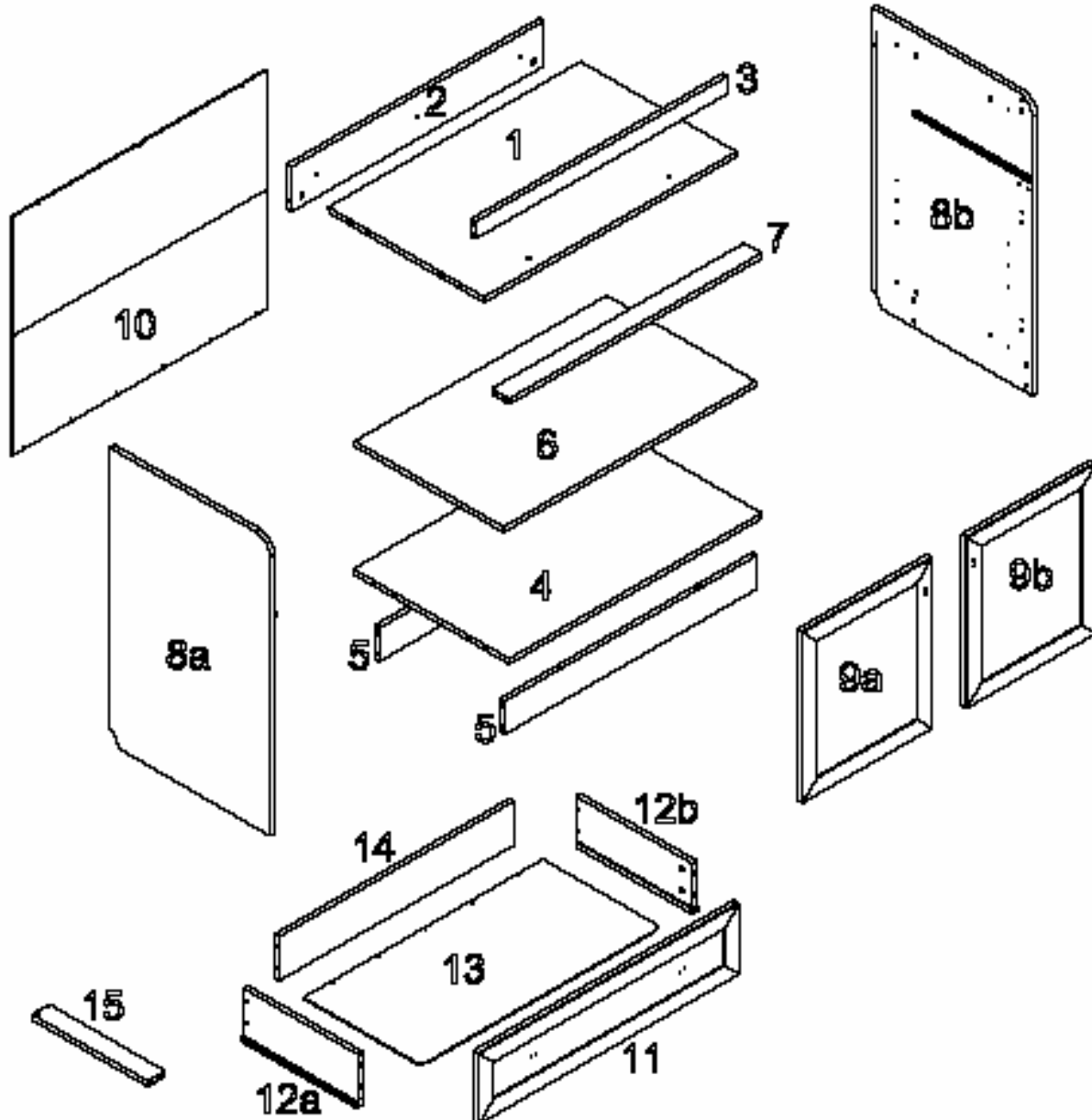
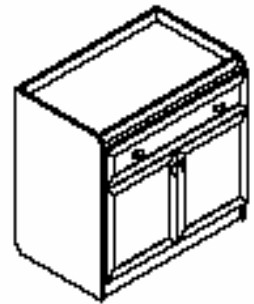
IMPORTANT: Please read the instructions
Carefully and keep for future reference.

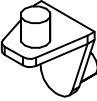
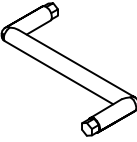
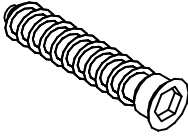
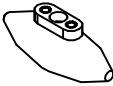

THESE INSTRUCTIONS ARE IMPORTANT. READ CAREFULLY AND KEEP FOR FUTURE REFERENCE.

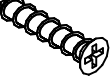


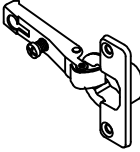
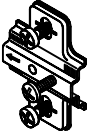
Helsinki Dresser /Changing Unit

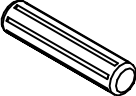
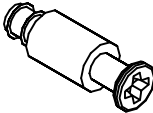

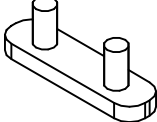
Unpack all components and panels and identify them against the parts listed. If any parts are missing or damaged please contact your retailer. Do not discard any packing until you are sure you have all the components listed.

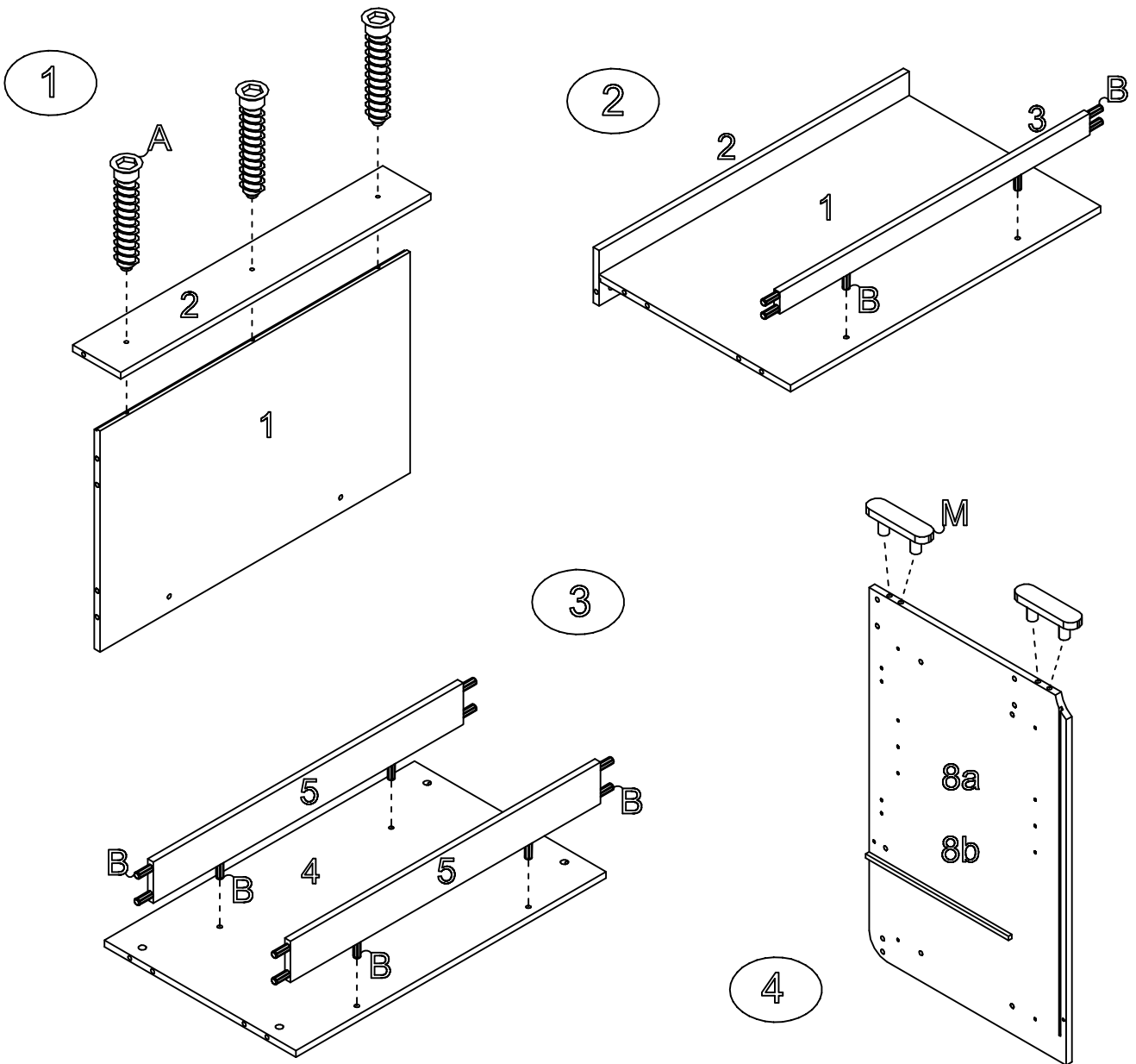
Construction of this dresser/changing unit requires two people



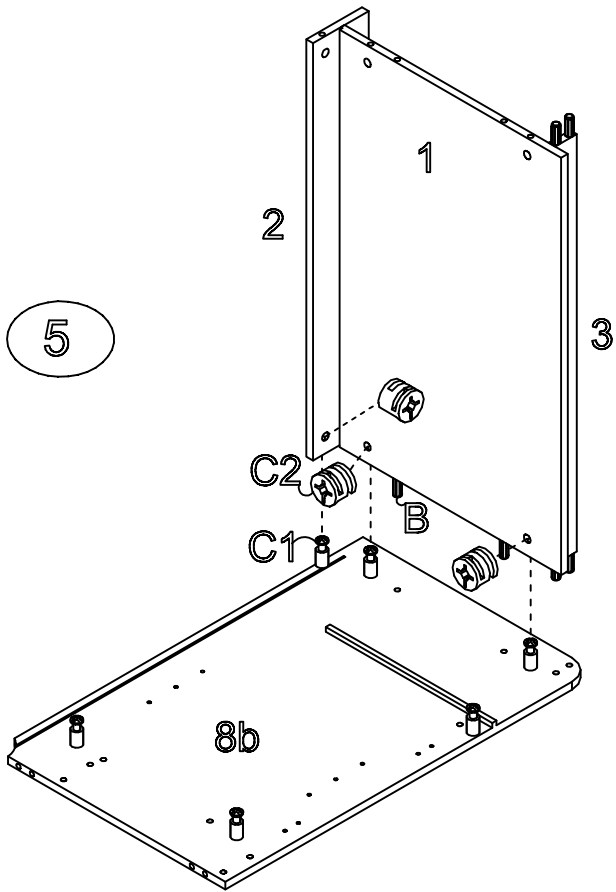
 S2 x 4	 x 1	 (7x50) A x 7	 U x 4	 (4x16) R2 x 8
--	---	--	---	---

 (3,5x35) R3 x 2	 (3x16) R1 x 11	 (4x30) R17 x 8	 D7 x 4	 D9 x 4
---	--	--	--	--

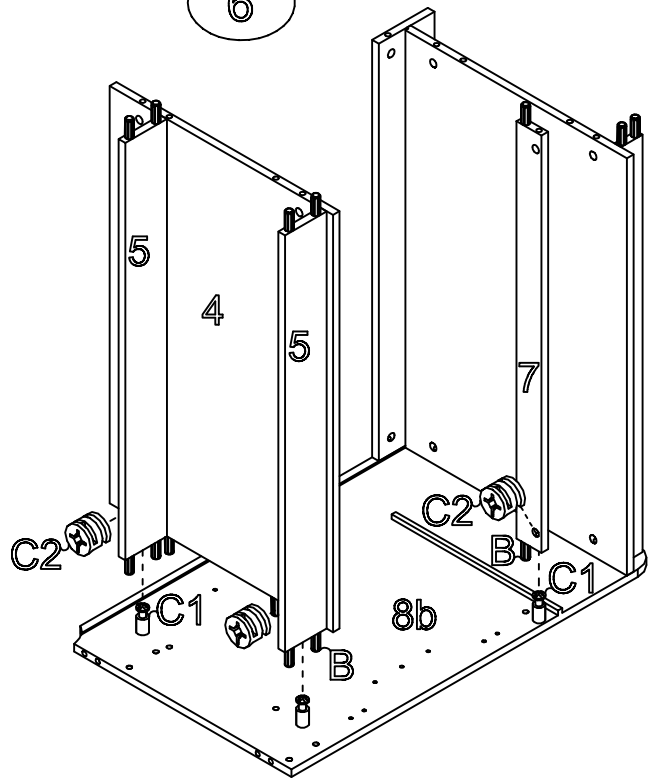
 (8x36) B x 29	 C1 x 17	 (15x15) C2 x 17	 M x 4
---	---	---	---



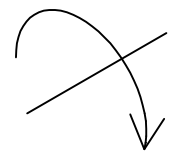
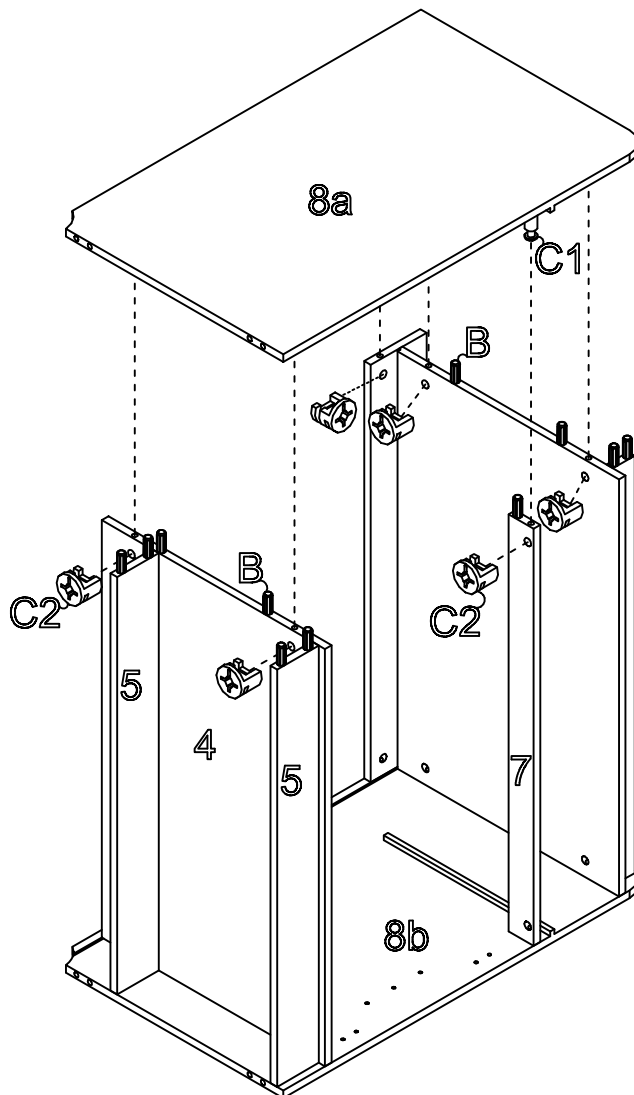
5



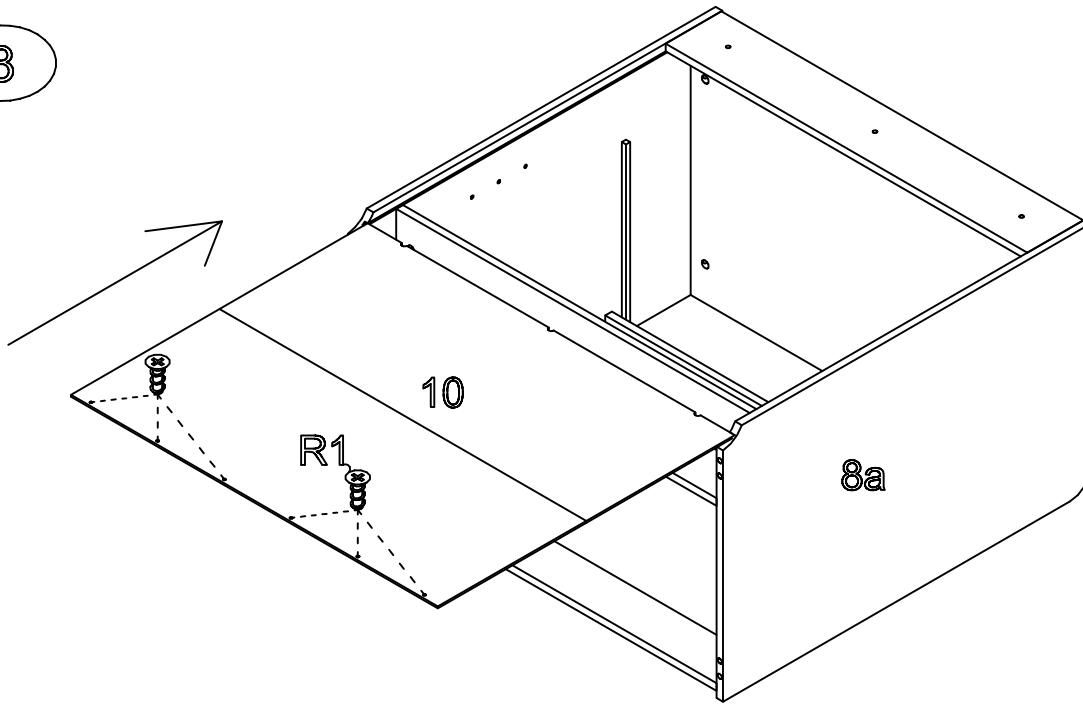
6



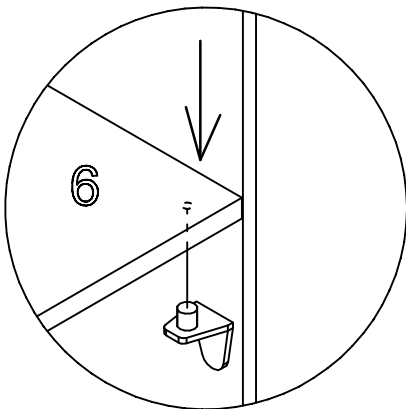
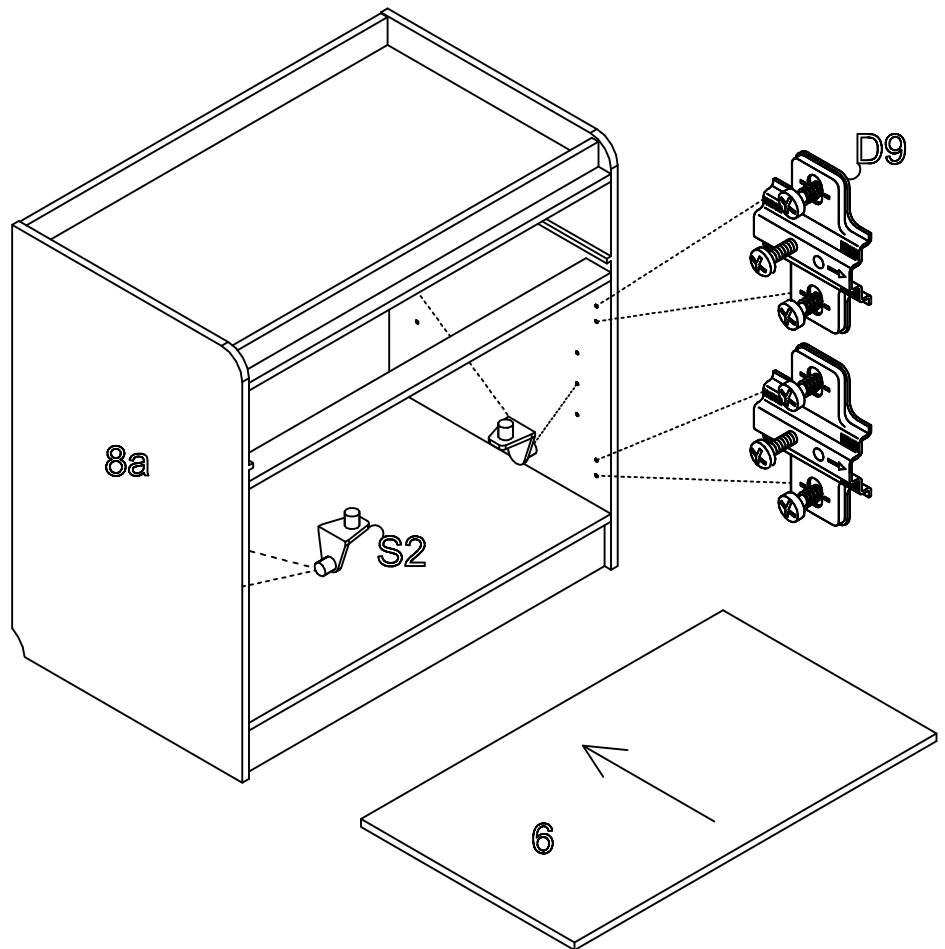
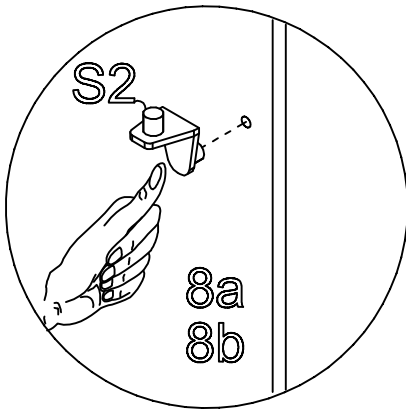
7

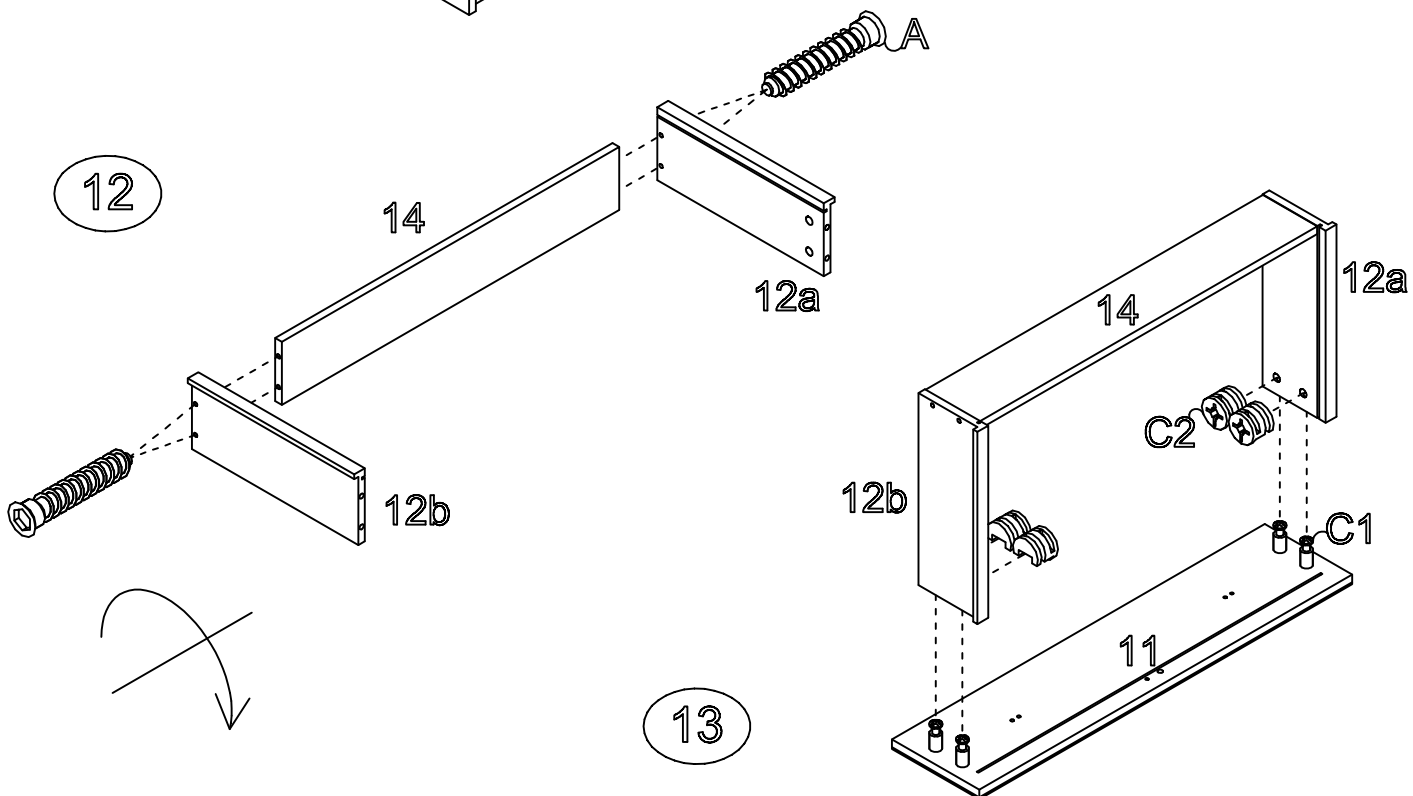
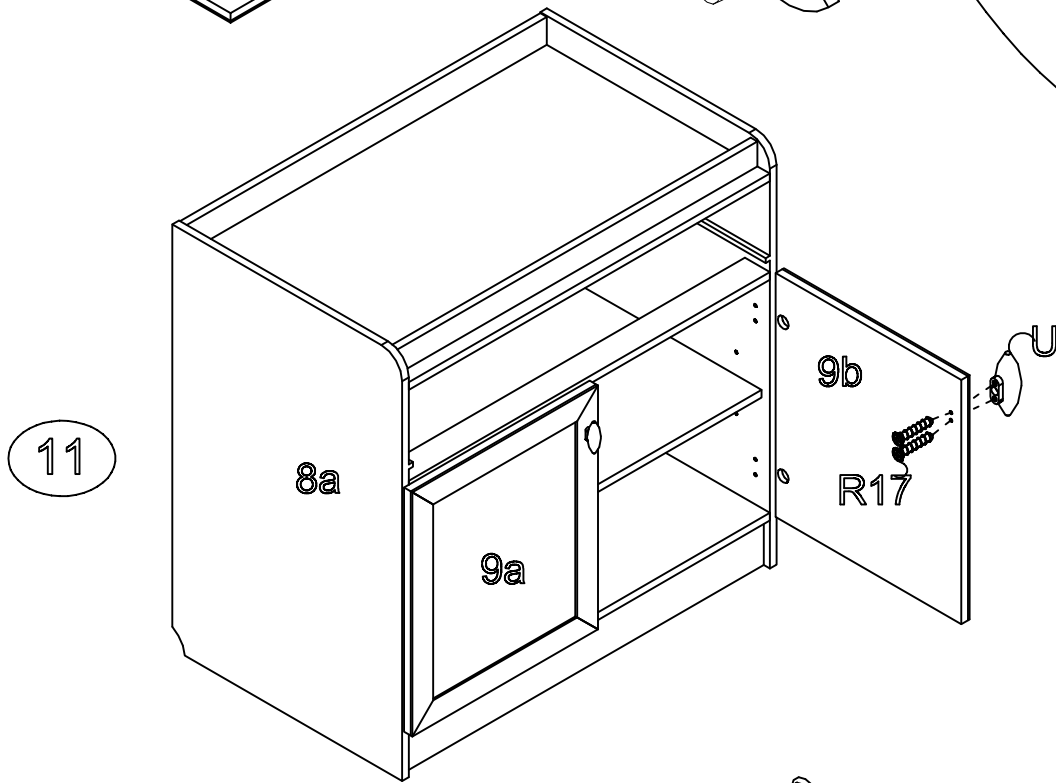
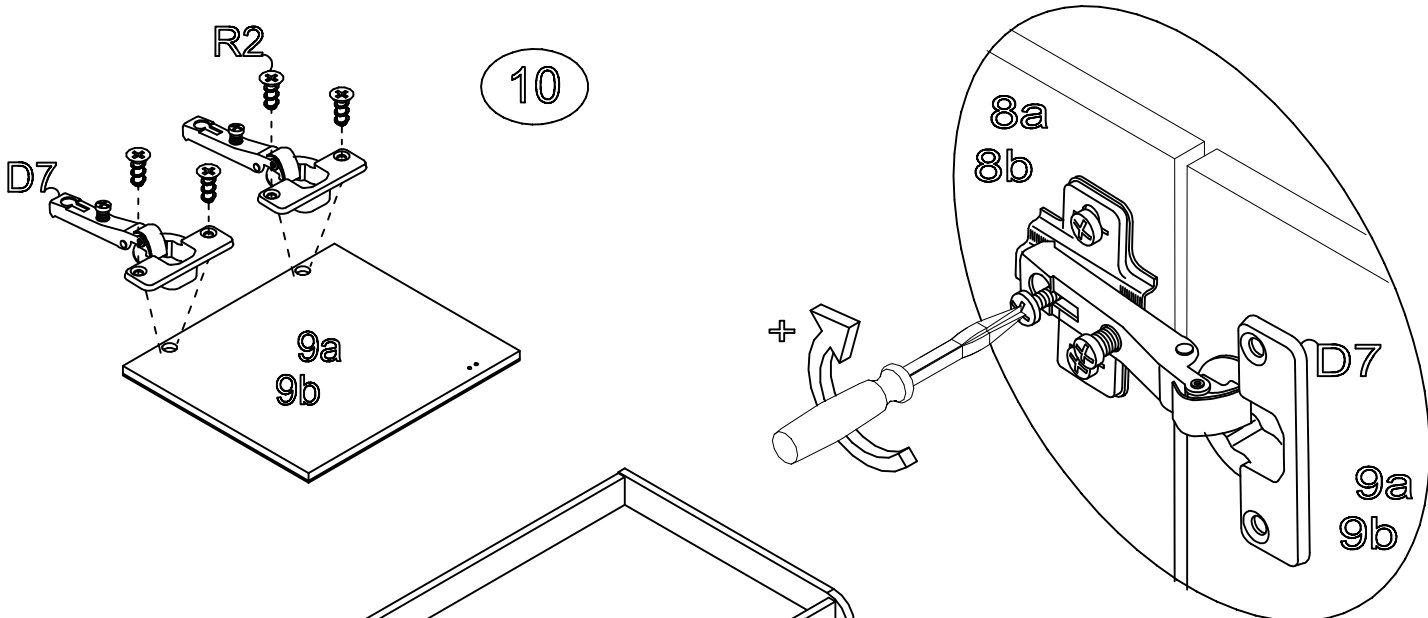


8

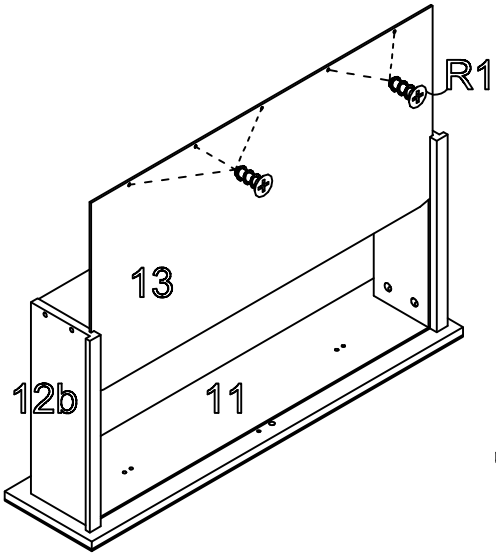


9

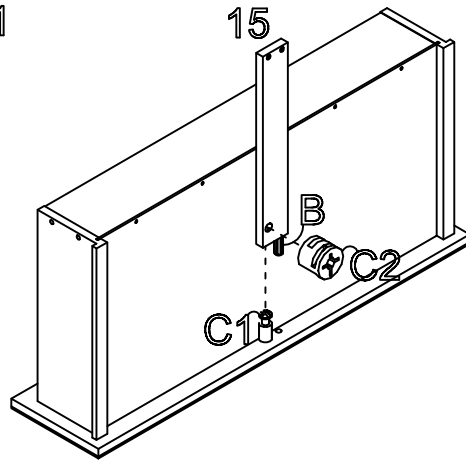




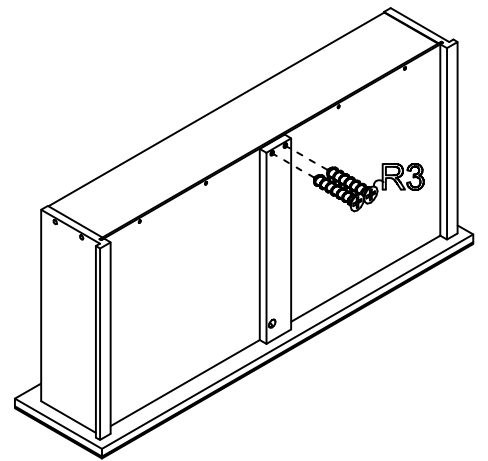
14



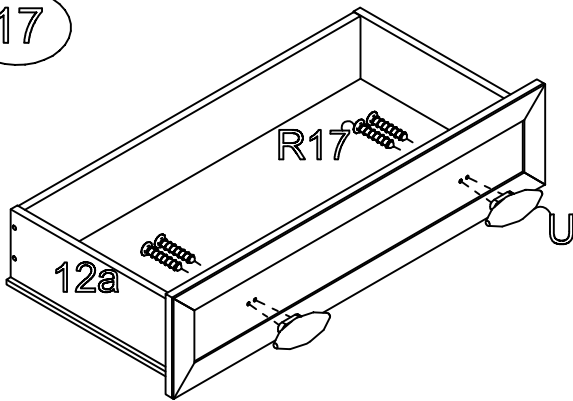
15



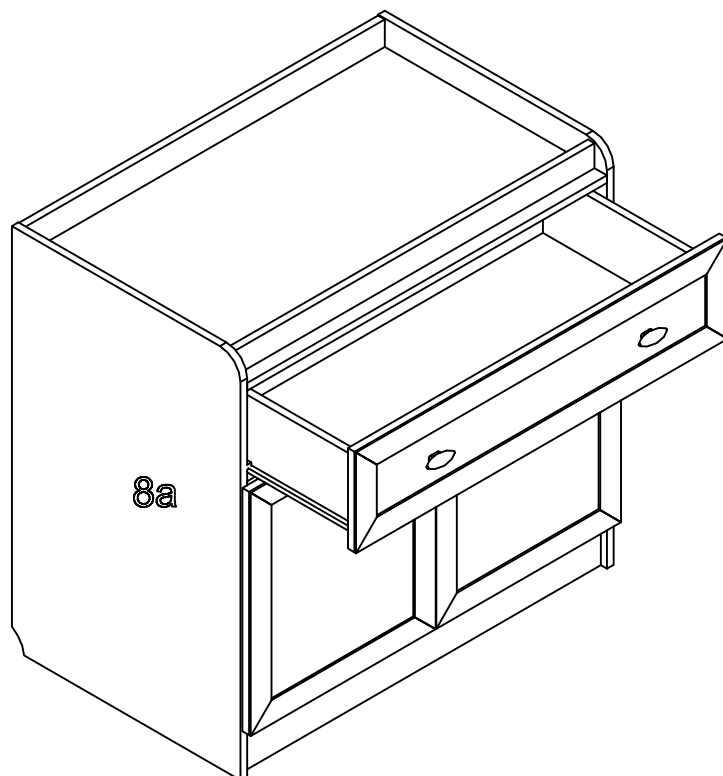
16



17



18



INSTRUCTIONS FOR SAFE USE AND MAINTENANCE

1. **WARNING: NEVER LEAVE YOUR CHILD UNATTENDED. THE SAFETY OF YOUR CHILD IS YOUR RESPONSIBILITY.**
2. Do not allow children to climb on the dresser.
3. Never leave your child unattended on the dresser.
4. Never use the dresser if it is broken or damaged or there are parts missing.
5. Do not place the dresser in or near the vicinity of open fires or other sources of strong heat, such as gas or electric fires.
6. Always leave the dresser clean and dry. Wipe away any spillage straight away. The dresser can be cleaned with a clean damp cloth. Do not use aggressive cleaning agents such as bleach or strong detergents.
7. Check on a regular basis that all fittings and screws are correctly tightened and are not damaged. Loose screws can pinch parts of the body and clothing resulting in the risk of strangulation.
8. A changing pad is not supplied with this product. Lay the changing pad on the changing surface within the retaining walls.

Product development dictates that components may occasionally differ from the ones shown in the diagrams of these instructions. The right to change the specifications and design of the furniture without prior notice remains with the manufacturer.

Guarantee

All our products are produced from the finest quality materials and are manufactured under the strictest quality controls.

We guarantee all our products or part there of against faulty manufacture; for a period of six (6) months from the date of purchase. This guarantee is not effective against accidental damage or damage caused by incorrect use or neglect. This does not affect your statutory rights.